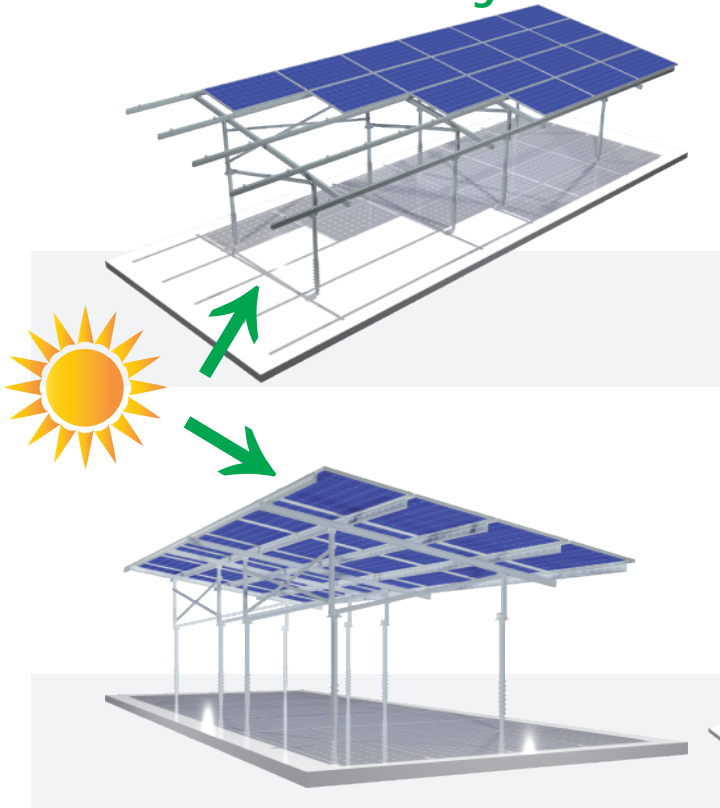


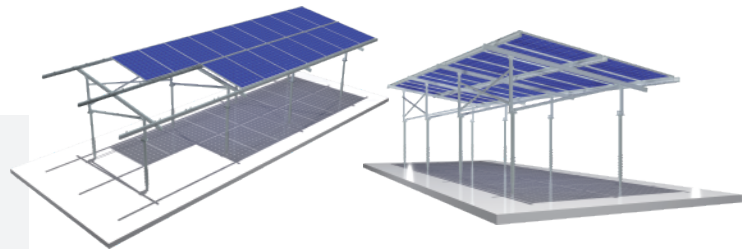
## System Features

### Mounting Structure for Bi-facial Solar Module without Shading on the Back



- Symmetrical Design of Tilt-in-Nut and Rail Channel  
No direction limitation for the nut and rail channel, improving the installation efficiency.
- No Drill on Portrait Beam  
It improves the strength of the system to fix the portrait beam onto the post by special designed clamps, with force at the same direction of the gravity.
- Pre-assembled Components Save Onsite Installation Time  
Solution design case by case, most components pre-assembled in factory, no onsite cut and drill request, saving the onsite installation time and cost.
- Flexibility and Adjustability  
The structure can be adjusted with some tolerance with east-west, west-south and south-north directions, assuring flexible on-site installation to achieve best yield for solar modules.
- ★ Special mounting structure design for bi-facial solar modules, no shading at the backside with all angles, more than 15% higher power generated.

## Available Solar Module Solutions



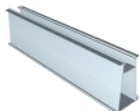
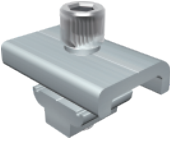



## Technical Parameter

Installation Site	Ground	Design Standard	AS/NZS 1170 , DIN 1055 , JIS C 8955 : 2017,
Foundation	Concrete Foundation , Ground Screw		International Building Code IBC 2009 ,
Tilt Angle	0-60°		California Building Code CBC 2010
Wind Load	60m/s	Material	AL6005-T5(Anodized)
Snow Load	1.6KN/m <sup>2</sup>	Fastener	SUS304 & Zinc-Nickel Alloy Electroplated Steel
Ground Clearance	500-2000mm	Accessories	AL6005-T5(Anodized)
Applicable Solar Module	Framed or Frameless	Color	Silver or Customized
Panel Layout	Portrait or Landscape	Warranty	10-Year Warranty

Certified by TUV, SGS and qualified consultants in AU, JP, ASEAN, CN, UK, EU, US



## Component List

							
Conical Symmetric Cross Beam 90 Specification: L*58*90 Standard length: 3300mm 5000mm	Splice for Conical Symmetric Cross Beam 90 Specification: L260mm Hexa Self-Tapping Screw With EPDM Washer ST6.3*19	PGT4 Pre-assembled Support Conical Symmetric Cross Beam 90 Flat Washer; Spring Washer T-Shape Joint; C Clamp Kit; Tube Hexagon Nut; Hexagon Bolt Hexagon Socket Bolt	C Clamp Kit C Clamp Symmetric Cross Module Spring Washer M8 Hexagon Socket Bolt	U25 Inter Clamp Kit U25 Inter Clamp Symmetric Cross Module Spring Washer M8 Hexagon Socket Bolt	Wide End Clamp Kit Wide End Clamp Symmetric Cross Module Spring Washer M8 Hexagon Socket Bolt	Pro Corrugated T Anchor Plate Specification: L120 Corrugated gasket Pro Corrugated T Anchor Plate Hexagon Socket Bolt Kit	Square Tube Specification: L*45*20 Hexagon Bolt Kit

